



APPLIANCES

VILLAS MARINA BAHIA GOLFITO



GE MONOGRAM REFRIGERATOR

SPECIFICATIONS

• Overall Width	42"	(106.7 cm)
• Overall Height	84"	(213.4 cm)
• Overall Depth	25 3/4"	(65.4 cm)
• Door Clearance	26 9/16"	(67.5 cm)
• Cut-out Width	41 1/2"	(105.4 cm)
• Cut-out Height	84" +/- .500	(213.36 cm)
• Cut-out Depth	24"	(610 cm)
• Plumbing Requirements	1/4" OD copper tubing or GE SmartConnect kit	
• Shipping Weight	750 lb	

ATTENTION ELECTRICIAN

A 115 volt 60Hz, 15 or 20 amp power supply is required. An individual properly grounded branch circuit or circuit breaker is recommended. Install a properly grounded 3-prong electrical receptacle recessed into the back wall.



GE MONOGRAM COOKTOP

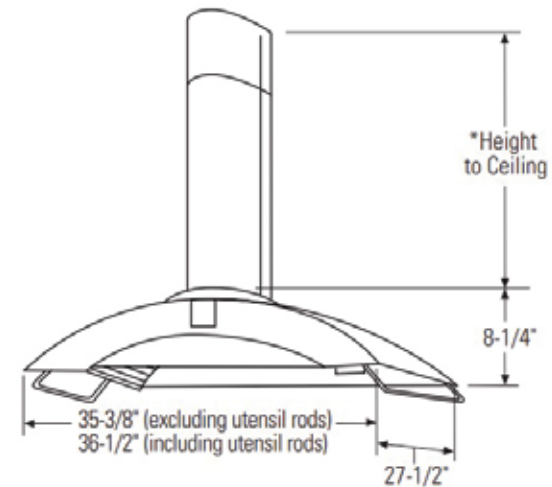
SPECIFICATIONS

• Overall Width	36"	(91.4 cm)
• Overall Depth	20 3/8"	(51.8 cm)
• Overall Height	4 5/8"	(11.8 cm)
• Cut-out Width	33 7/8"	(86.0 cm)
• Cut-out Depth	19 1/8"	(48.6 cm)
• Conduit Length	48"	(122 cm)
• Electrical Rating	11,600 W at 240 V/60 Hz	
	10,100 W at 208 V/60 Hz	
• Recommended Circuit Breaker Size	50 Amps	
• Net Weight	56 lbs.	(25.4 kg)
• Approx. Shipping Weight	63 lbs.	(28.6 kg)

GE MONOGRAM VENT HOOD

SPECIFICATIONS

• Overall Depth	27 1/2"
• Overall Height	41 1/2"
• Overall Width	36 1/2"
• Approximate Shipping Weight	106 lb
• Net Weight	76 lb
• Cabinet Width	36"





GE MONOGRAM WALL OVEN

SPECIFICATIONS

• Overall Width	29 3/4"	(75.6 cm)
• Overall Height	28 11/16"	(72.8 cm)
• Overall Depth Including Handle	27 5/16"	(70.6 cm)
• Oven Door Clearance	20 9/16"	(52.2 cm)
• Overall Oven Interior Capacity	5.0 cu. ft.	(141.6 liters)
• Oven Interior Dimensions (W x H x D)	25" x 17 3/8" x 20 1/4"	(63.5 x 44.1 x 51.4 cm)
• Minimum Cabinet Width*	30"	(76.2 cm)
• Minimum Cabinet Depth*	24"	(61.0 cm)
• Minimum Base Support	220 lbs.	(99 kg)
• Cutout Width*	28 1/2" 28 5/8"	(72.4 cm) Min (72.7 cm) Max
• Cutout Height*	27 1/4" 27 5/16"	(69.2 cm) Min (69.4 cm) Max
• Cutout Depth*	23 1/2"	(59.7 cm) Min
• Volts/Hertz/Amps	240/208 V AC, 60 Hz, 20 A	
• Conduit Length	48"	(72" available special order: WB18T10398)
• Electrical Rating	3.4 kW at 208 V 4.5 kW at 240 V	
• Shipping Weight	184 lbs.	(984 kg)

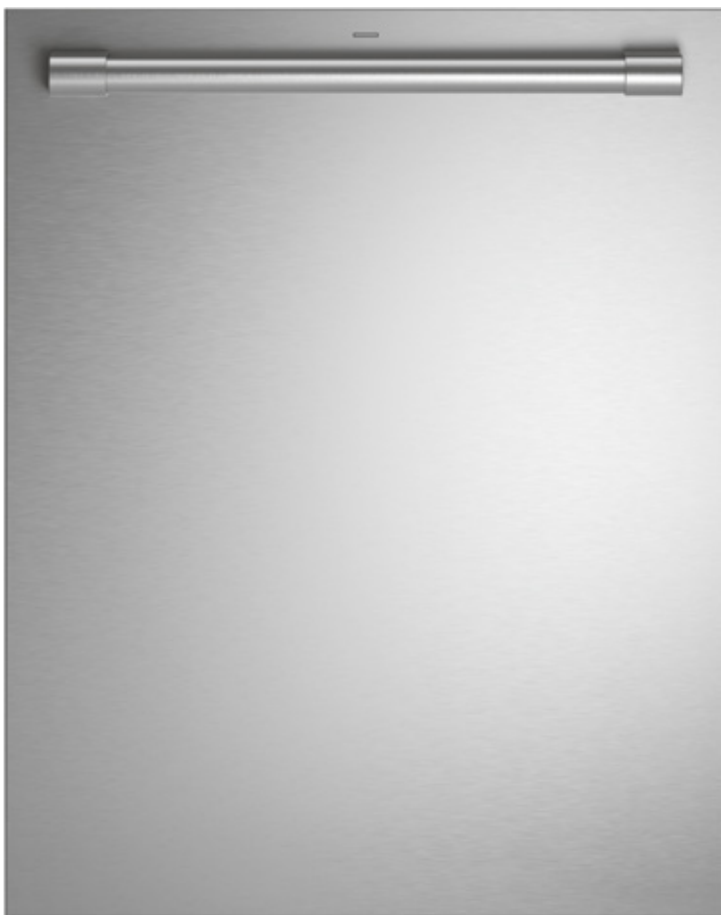
*Additional space will be needed for flush installation.



GE MONOGRAM MICROWAVE OVEN

SPECIFICATIONS

• Overall Width	24 1/2"	(62.2 cm)
• Overall Height	13 5/8"	(34.6 cm)
• Overall Depth	19 3/4"	(50.2 cm)
• Interior Capacity	2.2 cu. ft.	(.06 cu. m)
• Watts	1100	
• Volts/ Hertz/ Amps	120V/ 60 Hz / 13.9A	
• Power Cord	41" cord with 3-prong plug	
• Shipping Weight	53 lbs	(24 kg)



GE MONOGRAM DISHWASHER

SPECIFICATIONS

• Overall Width	23 3/4"	(60.3 cm)
• Overall Height	33 3/8" 34 5/8"	(84.8 cm) Min (88.0 cm) Max
• Overall Depth	24"	(61 cm)
• Door Clearance	25 1/2"	(64.8 cm)
• Overall Dishwasher Capacity	16 Place Settings	
• Minimum Cabinet Width	24"	(61 cm)
• Minimum Cabinet Depth	24"	(61 cm)
• Cutout Width	24"	(61 cm)
• Cutout Height	33 1/2" 34 3/4"	(85.1 cm) Min (88.3 cm) Max
• Electrical Requirements	10.2 A	
• Hose Length	No more than 12' (3.7 m)	
• Voltz/Hertz/Amps	115 V, 60 Hz, 15 or 20 amp circuit	
• Shipping Weight	139 lb (63 kg)	